

AH601

Vertical Flange Hanger (BVF1 Equivalent)

Technical Datasheet

Application

For suspending from 1.5mm to 4mm flange

Technical Details

Material:	Cold Rolled Spring Steel to EN 10132-4:2000
Surface Finish:	Zinc Plate & Yellow Passivate BS EN 12329:2000
Ultimate Static Vertical Load:	150 kg
Safe Static Vertical Work load:	38 kg
Safety Factor:	4:1

Load Ratings

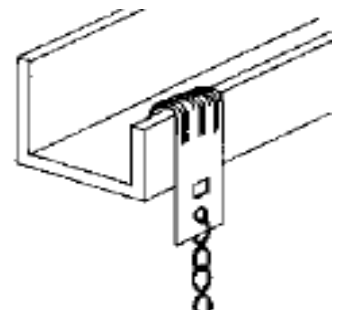
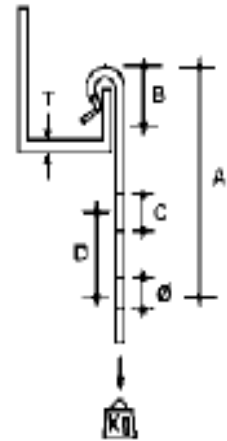
Ultimate static load is the failure load of the hanger in a vertical static position.

Safe static vertical work load is the recommended maximum vertical static load for the clip

Safety factor—the recommended safety factor for AH clips is 4:1

Health & Safety

As with all metal products, there is a risk from sharp corners or edges. Appropriate PPE should be used. Repeated contact with metal coatings may cause skin irritation.



Arthur Hough & Sons Limited
Hilton Cross Business Park, Cannock Road
Featherstone, Wolverhampton WV10 7QZ
Tel: 01902 867717 Fax: 01902 867719

Email: mail@ahough.com Website: www.ahough.com

